



Enclosed transfer switches

Manual operation

MTSE* and Bypass - Steel enclosures from 63 to 3200 A



SIRCO VM1 changeover switches
in steel enclosure

coff_298_b_1_cat



SIRCOVER
in steel enclosure

coff_298_b_1_cat

The solution for

- > Safe supply of medium critical loads



Strong points

- > Visible double breaking (SIRCO VM1)
- > On load operation (AC22/AC23) - SIRCOVER
- > Safety of operations
- > Robust product
- > Compact design

Conformity to standards

- > IEC 60947-6-1
- > IEC 60364
- > IEC 61439
- > EN 60204-1



Specific requests

- > SOCOMEC can provide a wide range of specific requirements. Please consult us.

Function

These **manually operated changeover switches** are mainly used to provide the following functions:

- Changeover/source inversion.
- Switching.
- Earthing.
- Changeover.
- Safety isolation

Advantages

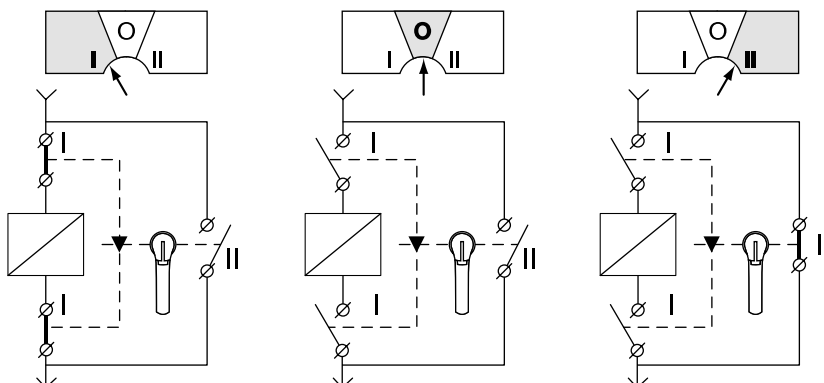
The **SIRCO VM1** and **SIRCOVER** ranges are multipole changeover switches with positive break indication for safe operations.

- The SIRCO VM1 also enables visible double breaking.
- The SIRCOVER range is designed for use in AC22 and AC23 utilisation categories.
- The SIRCO VM1 and SIRCOVER ranges are available in I, 0, II / I, I+II, II / Bypass versions (SIRCOVER only).

What you need to know

SIRCOVER Bypass products are a combination of three interlocked switches enabling the use with 3 + 6 poles or 4 + 8 poles.

They insulate by providing simultaneous safety isolation top and bottom and by passing loads or low voltage circuits mainly during maintenance operations



atys_570_a_1_x_cat

* MTSE: Manual Transfer Switch Equipment

SIRCO VM1 changeover switches in steel enclosure

■ Front operation



coff_283_b_1_cat

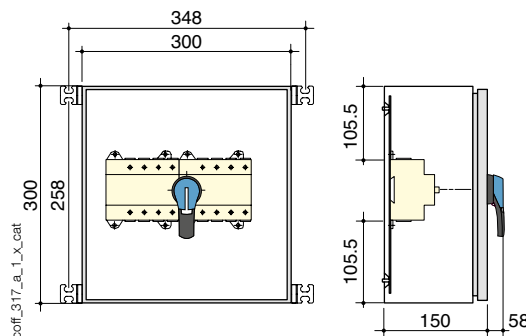
General characteristics

- Adapted to mechanical risk and dust hazard.
- Operation handle: S-type black handle padlockable.
- Protection degree: IP54 / IK 09.
- Colour: epoxy polyester powder RAL 7035.
- Cable gland plate: top and bottom.
- Material: XC steel, thickness 1.5 mm.
- Coating: epoxy polyester powder.
- Wall mounting: 4 mounting brackets supplied (not mounted).
- Door: solid with hinges.
- Locking system: 3 mm double-bar key (key supplied).
- Miscellaneous: 2 earth connection points, double door locking.

References

Rating (A)	No. of poles	Top/Bottom connection Reference
63	3 P	4413 3006
63	4 P	4413 4006
80	3 P	4413 3008
80	4 P	4413 4008
100	3 P	4413 3010
100	4 P	4413 4010

Dimensions



coff_317_a_1_x_cat

Rating (A)	Max. connection section (mm ²)	Weight (kg)
3 x 63 / 4 x 63	50	9
3 x 80 / 4 x 80	50	10
3 x 100 / 4 x 100	50	16

Enclosed transfer switches

Manual operation

MTSE and Bypass - Steel enclosures from 63 to 3200 A

SIRCOVER in steel enclosure

Front operation

coeff_298_b_2_cat



General characteristics

- Adapted to mechanical risk and dust hazard.
- Operation handle: S-type black handle padlockable in position 0.
- Protection degree: IP54 / IK 09.
- Colour: RAL 7035 (range < 630 A) , RAL 9001 for casing and door, other RAL 7035.
- Cable gland plate: top and bottom.
- Material: XC steel, thickness 1.5 mm.
- Coating: epoxy polyester powder (range < 630 A), polyester powder (range ≥ 630 A).
- Wall mounting: 4 mounting brackets supplied (not mounted).
- Door: solid with hinges.
- Locking system: 3 mm double bar key (ratings < 630 A), 8 mm square key (ratings ≥ 630 A), key supplied.
- Miscellaneous: 2 earth connection points, double door locking.

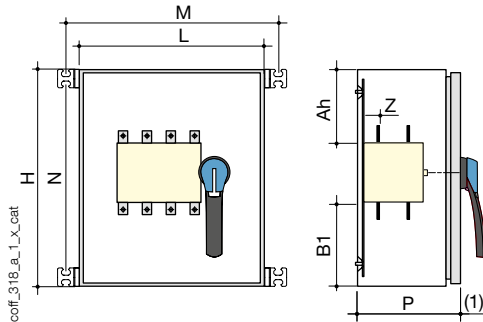
References

Rating (A)	No. of poles	Top/Bottom connection	
		I - 0 - II Reference ⁽¹⁾	I - I+II - II Reference ⁽¹⁾
125	3 P	4212 3012	4116 3012
125	4 P	4212 4012	4116 4012
160	3 P	4212 3016	4116 3016
160	4 P	4212 4016	4116 4016
250	3 P	4212 3025	4116 3025
250	4 P	4212 4025	4116 4025
400	3 P	4212 3040	4116 3040
400	4 P	4212 4040	4116 4040
500	3 P	4212 3050	4116 3050
500	4 P	4212 4050	4116 4050
630	3 P	4212 3063	4116 3063
630	4 P	4212 4063	4116 4063
800	3 P	4212 3080	4116 3080
800	4 P	4212 4080	4116 4080
1250	3 P	4212 3120	4116 3120
1250	4 P	4212 4120	4116 4120
1600	3 P	4212 3160	4116 3160
1600	4 P	4212 4160	4116 4160

(1) Provided without bridging bars.

(2) Provided with bridging bars.

Dimensions



coeff_318_a_1_x_cat

(1) 125 ... 630 A: 58 mm
800 ... 1 600 A: 74 mm.

Rating (A)	No. of poles	H x W x D (mm)	Max. connection cross-section (mm ²)	M (mm)	N (mm)	Z (mm)	Top/Bottom connection		
							Ah (mm)	B1 (mm)	Weight (kg)
125	3/4 P	500 x 400 x 250	50	448	458	28	190	190	23
160	3/4 P	500 x 400 x 250	95	448	458	28	190	190	23
250	3/4 P	500 x 400 x 250	150	448	458	29.3	185	185	23
400	3/4 P	800 x 600 x 300	240	758	552	29.3	330	330	45
500	3/4 P	800 x 600 x 300	240	648	658	45	298	298	55
630	3/4 P	800 x 600 x 300	2 x 300	648	658	45	290	290	55
800	3/4 P	1200 x 700 x 500	2 x 300	740	1152	24	465	465	78
1250	3/4 P	1200 x 700 x 500	4 x 185	740	1152	24	465	465	88
1600	3/4 P	1200 x 700 x 500	4 x 300	740	1152	-	470	470	94

SIRCOVER Bypass in steel enclosure

Front operation

coeff_298_b_2_cat



General characteristics

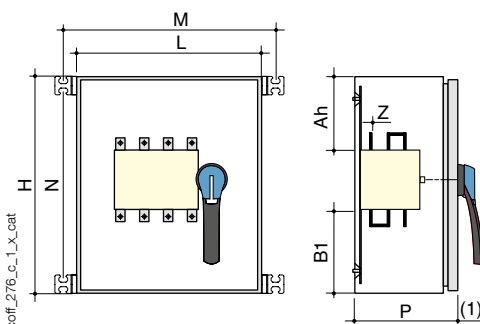
- Adapted to mechanical risk and dust hazard.
- Operation handle: S-type black handle padlockable in position 0.
- Protection degree: IP54 / IK 09.
- Colour: casing and door RAL 9001, locking plates RAL 7035
- Cable gland plate: top and bottom.
- Material: XC steel, 2 mm thick, EZ electrogalvanised steel 25/25.
- Coating: polyester powder.
- Wall mounting: 4 mounting brackets supplied (not mounted).
- Door: solid with hinges.
- Locking system: 3 mm double bar key (ratings < 630 A), 8 mm square key (ratings 630 A), key supplied.
- Miscellaneous: 2 earth connection points, double door locking.

References

Rating (A)	No. of poles	Top/Bottom connection
		I - 0 - II Reference ⁽¹⁾
125	3+6 P	4119 7012
125	4+8 P	4119 9012
160	3+6 P	4119 7016
160	4+8 P	4119 9016
250	3+6 P	4119 7025
250	4+8 P	4119 9025
400	3+6 P	4119 7040
400	4+8 P	4119 9040
500	3+6 P	4119 7050
500	4+8 P	4119 9050
630	3+6 P	4119 7063
630	4+8 P	4119 9063
800	3+6 P	4119 7080
800	4+8 P	4119 9080
1250	3+6 P	4119 7120
1250	4+8 P	4119 9120
1600	3+6 P	4119 7160
1600	4+8 P	4119 9160

(1) Provided with bridging bars.

Dimensions



(1) 125 ... 160 A: 58 mm
250 ... 630 A: 74 mm
800 ... 1600 A: 120 mm

Rating (A)	No. of poles	H x W x D (mm)	Max. connection cross-section (mm ²)	M (mm)	N (mm)	Z (mm)	Top/Bottom connection		
							Ah (mm)	B1 (mm)	Weight (kg)
125	3+6 / 4+8 P	500 x 400 x 350	50	448	452	47	192	192	(1)
160	3+6 / 4+8 P	500 x 400 x 350	95	448	452	47	192	192	(1)
250	3+6 / 4+8 P	800 x 600 x 500	150	640	752	48	335	335	(1)
400	3+6 / 4+8 P	800 x 600 x 500	240	640	752	48	330	330	(1)
500	3+6 / 4+8 P	800 x 600 x 550	240	640	752	64	297	297	(1)
630	3+6 / 4+8 P	800 x 600 x 550	2 x 300	640	752	64	290	290	(1)
800	3/4 P	1200 x 700 x 500	2 x 300	740	1152	24	465	465	78
1250	3/4 P	1200 x 700 x 500	4 x 185	740	1152	24	465	465	88
1600	3/4 P	1200 x 700 x 500	4 x 300	740	1152	-	470	470	94

(1) Please consult us.